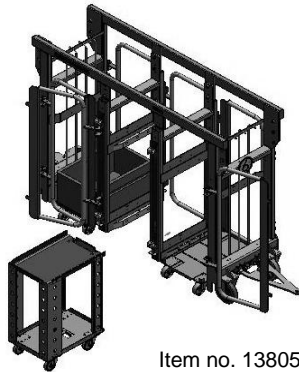
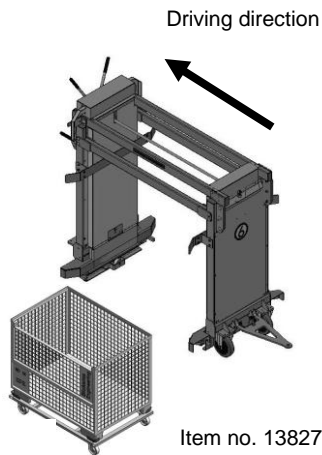


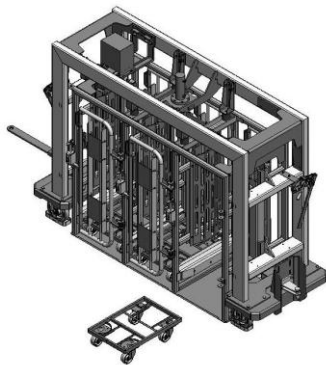
TRANSPORT LOGISTICS MILKRUN



Item no. 138056



Item no. 138270



Item no. 206830

Gantry Carts TRP I

Trolleys run on their own wheels – can be loaded from both sides

For fast and safe indoor transport of trolleys with boxes

When the doors are unlocked, the trolleys are moved into the cart, (respectively removed from the cart).

Once the bolts are locked, the cart continues its routing.

Drawbars adapted to your tractor

Steering: hanger system

Various designs available (housing, colours, etc.)

Designed for indoor transport only

Max. load / towing capacity 500 kg

Item no.	Product to be transported	Features of wheels	Trolley with
138056	3 trolleys 600 x 400 mm up to 620 x 420 mm	Ø 200 mm Polyurethan	2 swivel and 2 fixed castors
138270	1 trolley 1.265 x 865 mm	Ø 200 mm Polyurethan	2 swivel and 2 fixed castors
206830	3 trolleys 630 x 430 mm handhydraulic	Ø 200 mm Polyurethan	2 swivel and 2 fixed castors

This product range can also be adapted to other trolley dimensions such as 400 x 400 mm and 600 x 800 mm

Other models / dimensions on request.